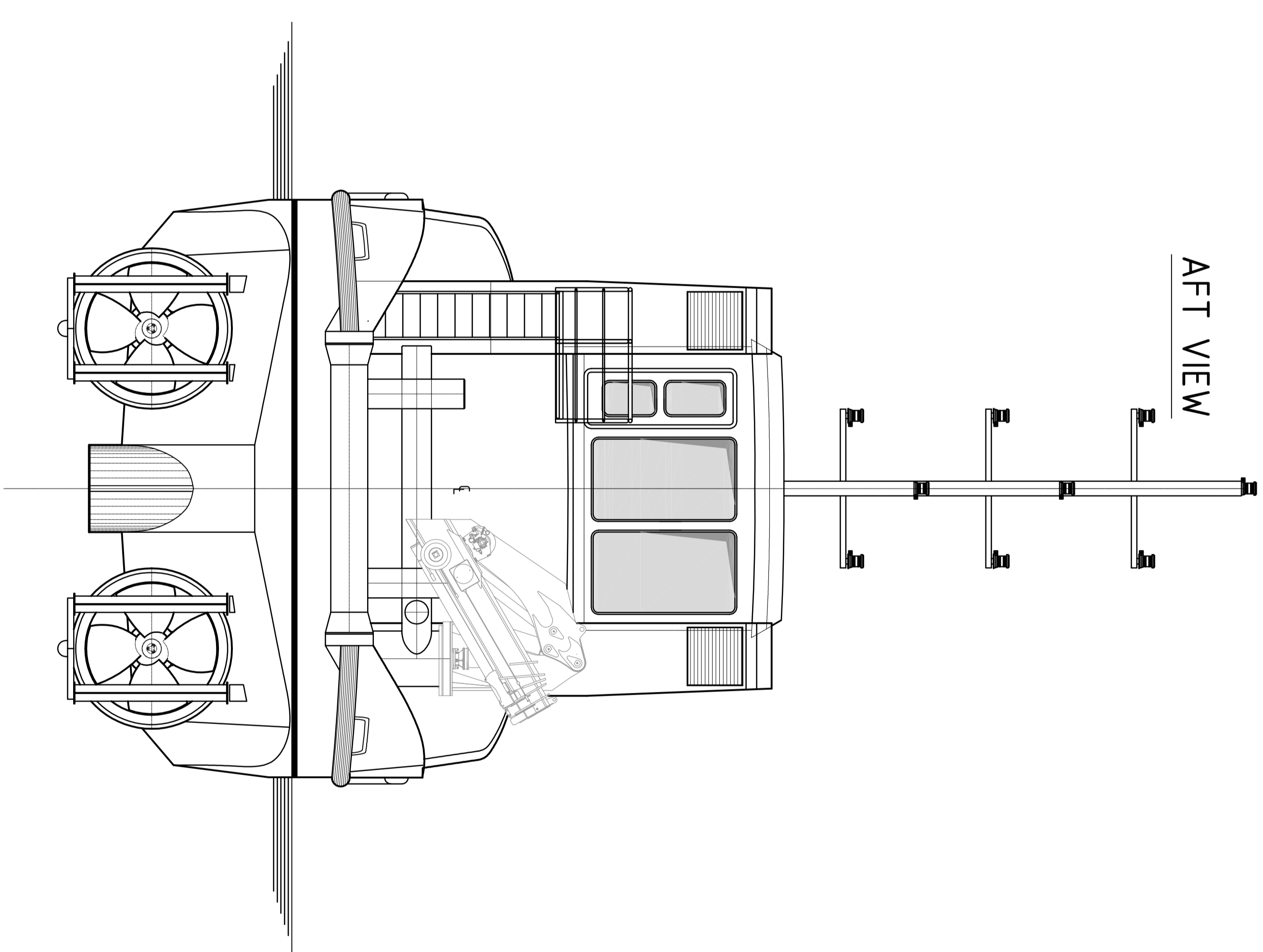
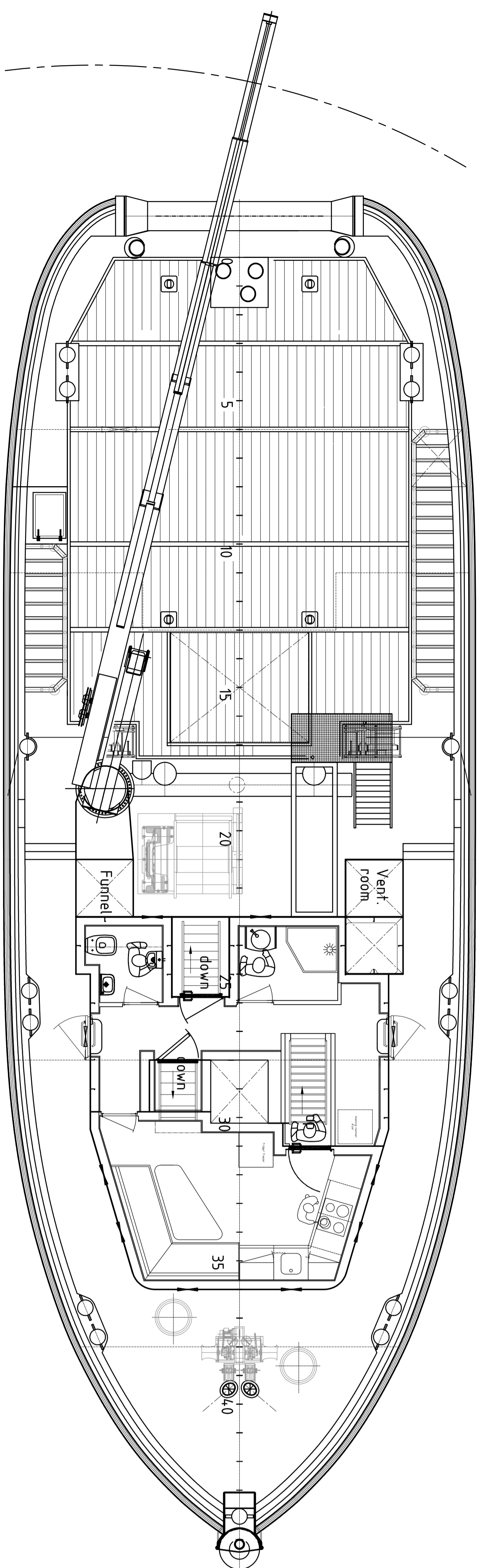


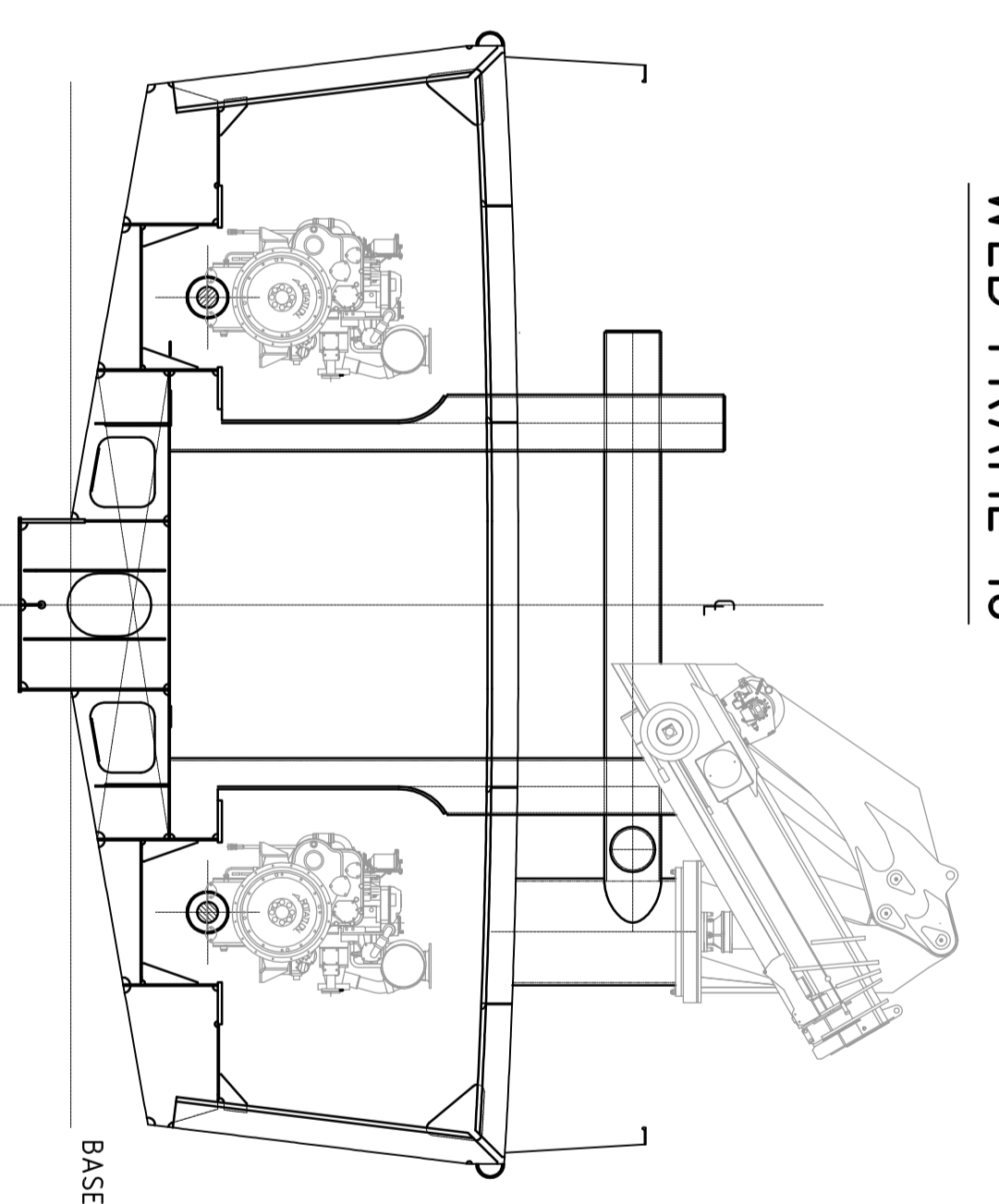
SIDE VIEW SB



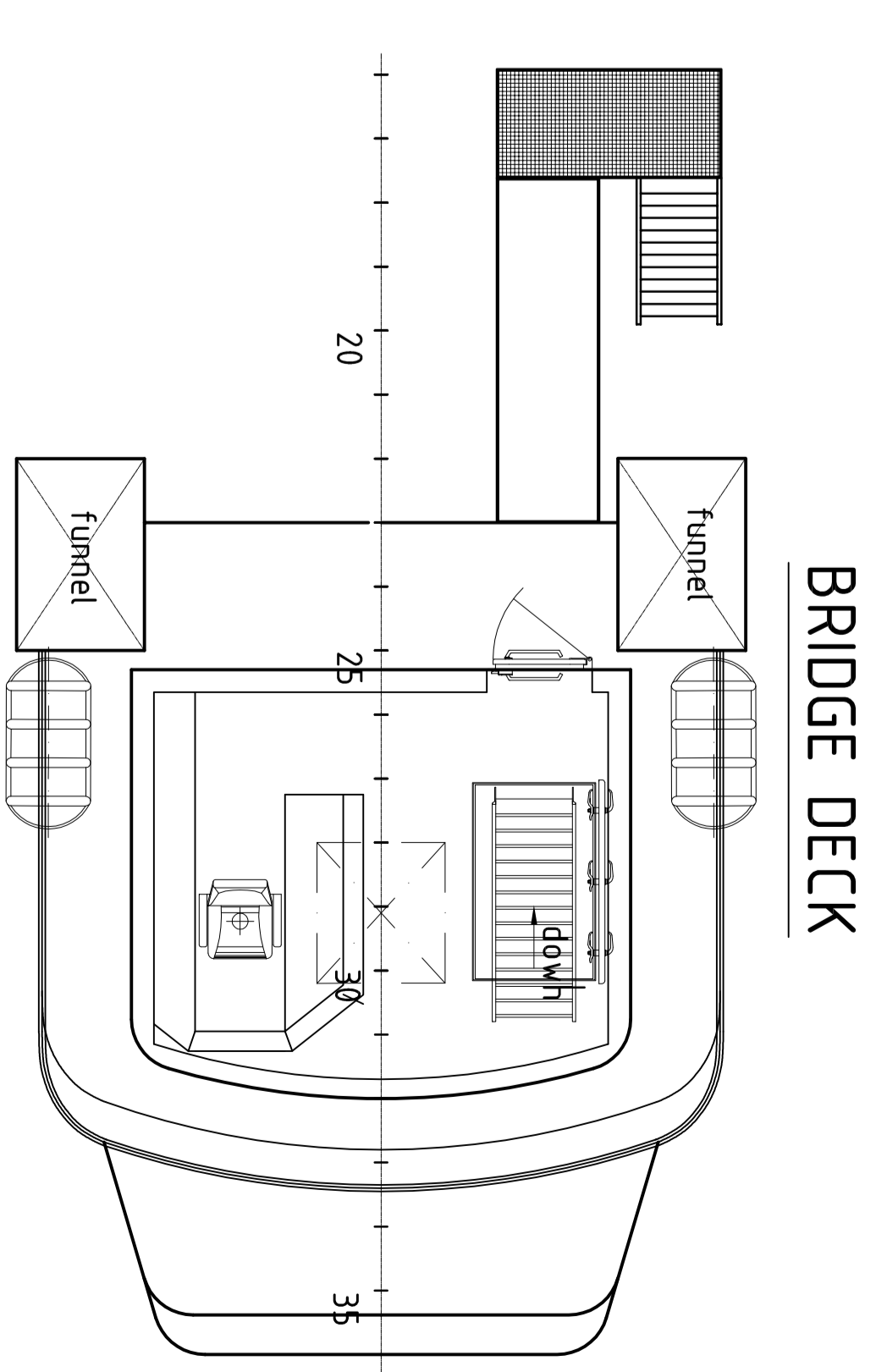
AFT VIEW



VIEW BELOW DECK



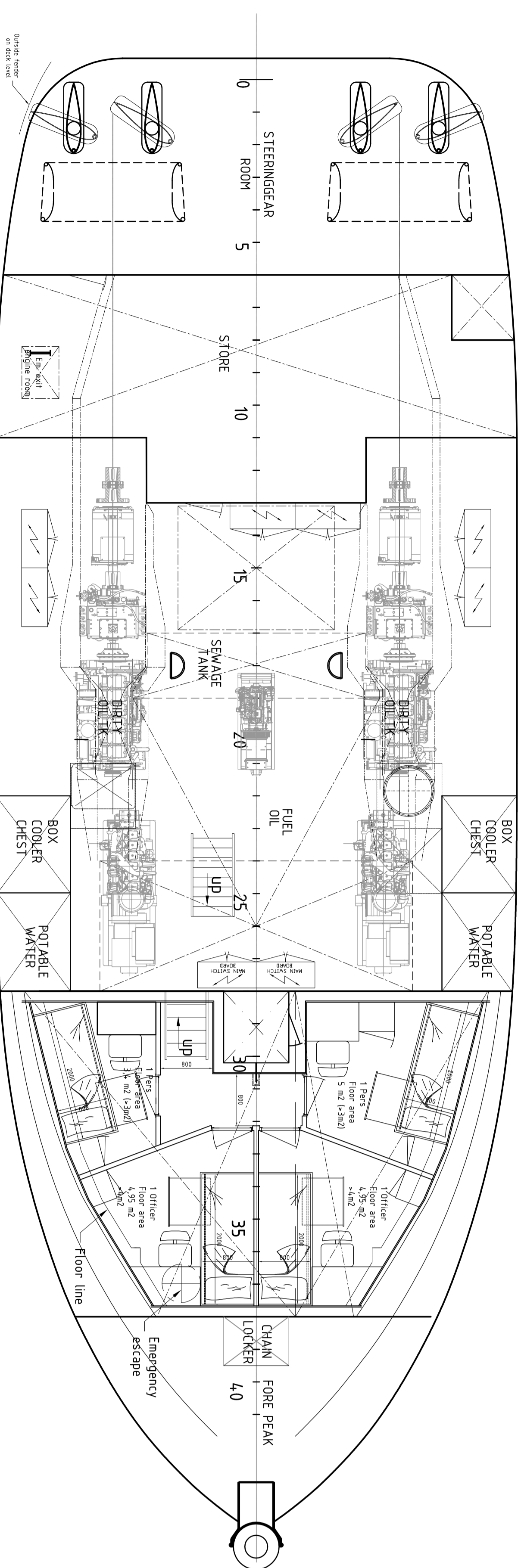
WEB FRAME 18



BRIDGE DECK

MAIN DIMENSIONS:

LENGTH o.a. 23.95 m
 BREADTH mld. 8.00 m
 DEPTH mld. 3.10 m



Scale: 1:20	Scale: 1:20	Scale: 1:20	Scale: 1:20
Project: Koedood Diesel Service BV	Project: Koedood Diesel Service BV	Project: Koedood Diesel Service BV	Project: Koedood Diesel Service BV
Client: Koedood Diesel Service BV	Client: Koedood Diesel Service BV	Client: Koedood Diesel Service BV	Client: Koedood Diesel Service BV
Order: 207-051-001	Order: 207-051-001	Order: 207-051-001	Order: 207-051-001
Sheet: 1/1	Sheet: 1/1	Sheet: 1/1	Sheet: 1/1
Scale: A0	Scale: A0	Scale: A0	Scale: A0
Project: Koedood Diesel Service BV	Project: Koedood Diesel Service BV	Project: Koedood Diesel Service BV	Project: Koedood Diesel Service BV
Order: 207-051-001	Order: 207-051-001	Order: 207-051-001	Order: 207-051-001
Sheet: 1/1	Sheet: 1/1	Sheet: 1/1	Sheet: 1/1
Scale: A0	Scale: A0	Scale: A0	Scale: A0

GENERAL ARRANGEMENT

KOOIMAN BV

schepsbouwkundig ontwerp- en adviesbureau

Leidsewal 84-3336 LE Amsterdam, Nederland
 Tel. +31 (0)20 4606177 Fax. +31 (0)20 4637300
 www.kooimanbv.nl

Project: Koedood Diesel Service BV

Order: 207-051-001

Sheet: 1/1

Scale: A0

Project: Koedood Diesel Service BV

Order: 207-051-001

Sheet: 1/1

Scale: A0